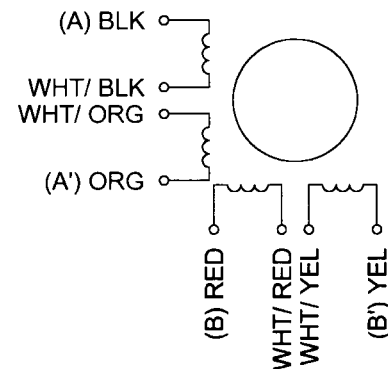


FULL STEP 2 PHASE- Ex.,
WHEN FACE MOUNTING END (X)

STEP	A	B	A'	B'	COM	CCW
1	ON	ON			+DCV	↑
2		ON	ON			
3			ON	ON		
4	ON			ON		
						↓
						CW

MODEL	"L" DIM
34R1XX	2.60
34R2XX	3.78
34R3XX	4.96

WIRING DIAGRAM



NOTES:

1. SHAFT RADIAL PLAY 0.0008" MAX. @ 450g LOAD.
2. SHAFT AXIAL PLAY 0.003" MAX. @ 450g LOAD.

SPECIFICATIONS

STEP ANGLE (DEG)	1.8°
STEP ACCURACY (NON-ACCUM)	±5%
INSULATION CLASS	B
TEMPERATURE RISE	MAX. 80° C
INSULATION RESISTANCE	100Mohm @ 500VDC
DIELECTRIC STRENGTH	900VAC FOR ONE MINUTE
AMBIENT TEMPERATURE	-20° C ~ +50° C

ANAHEIM
AUTOMATION